
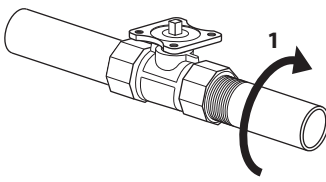


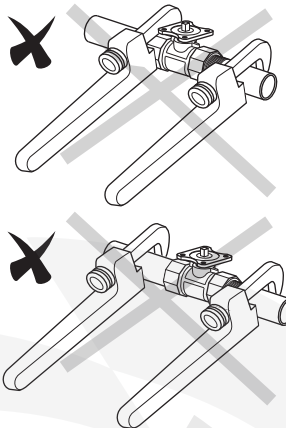
Valve, Ventil, Клапан, Ventil


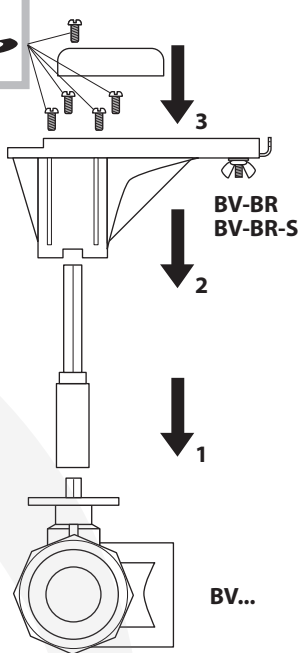
BV



LUFBERG
CONSTRUCTIVE DECISIONS

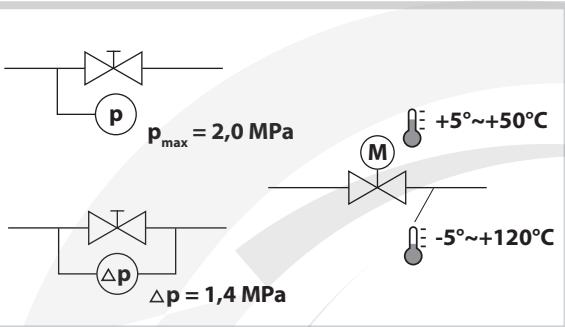





BV-BR
BV-BR-S

BV...

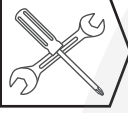


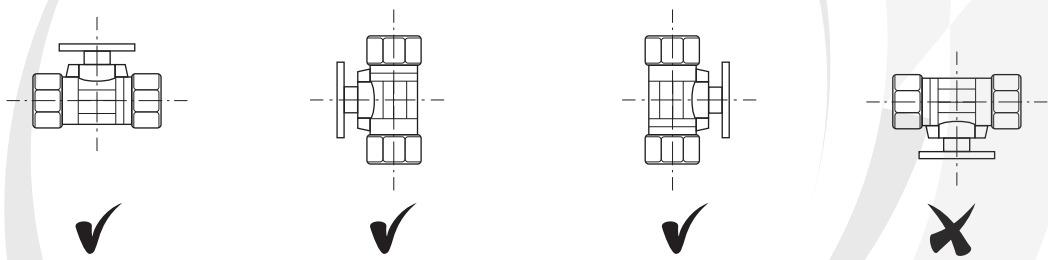
$p_{max} = 2,0 \text{ MPa}$

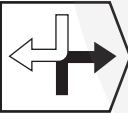
$\Delta p = 1,4 \text{ MPa}$

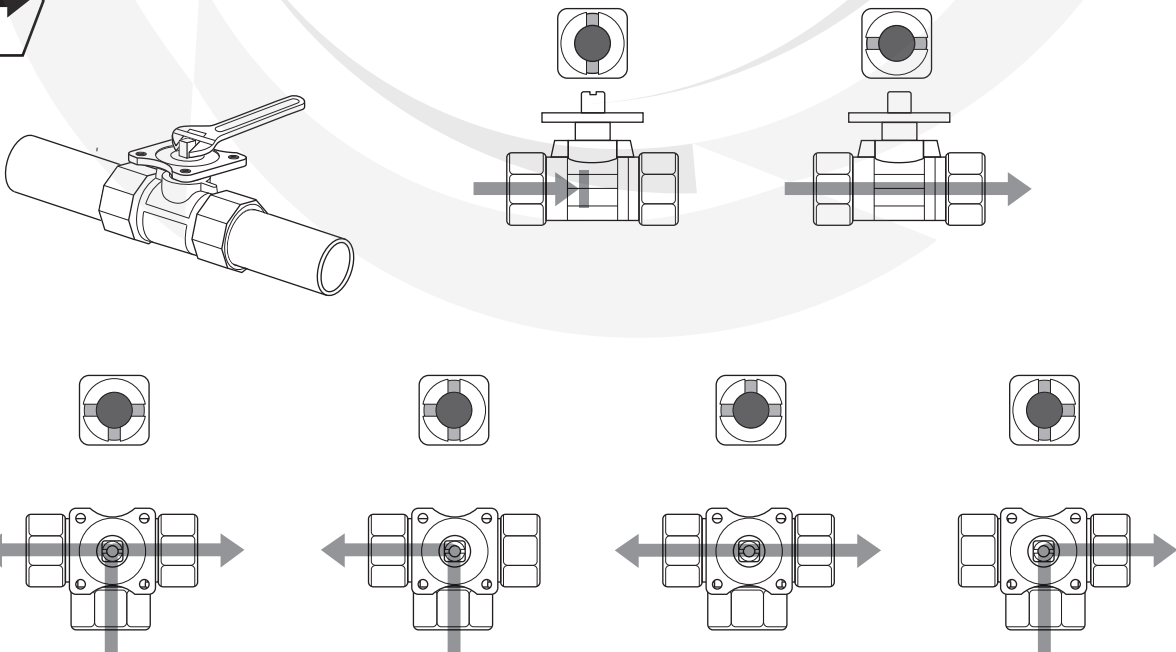
$+5^{\circ}\sim+50^{\circ}\text{C}$

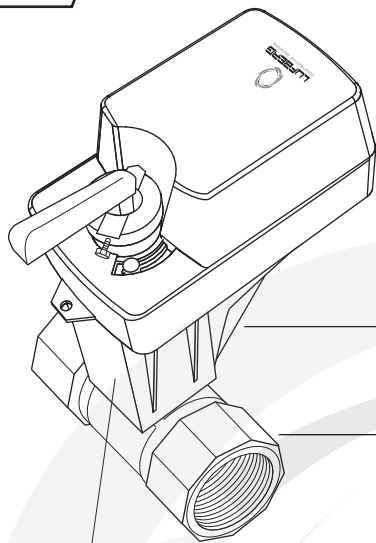
$-5^{\circ}\sim+120^{\circ}\text{C}$







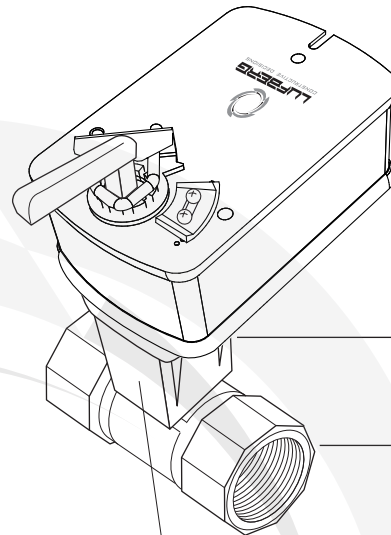




DA04N...
DA08N...

- BV-BR
- BV-BR-S

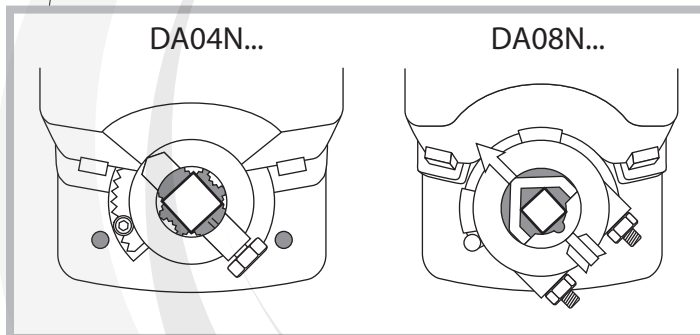
BV



DA05S...

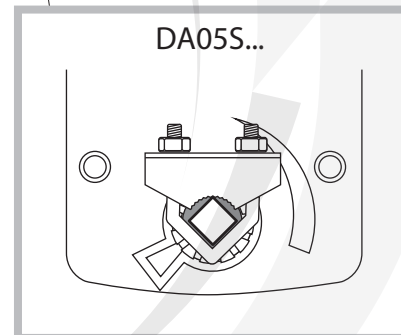
- BV-BR
- BV-BR-S

BV



DA04N...

DA08N...



DA05S...

