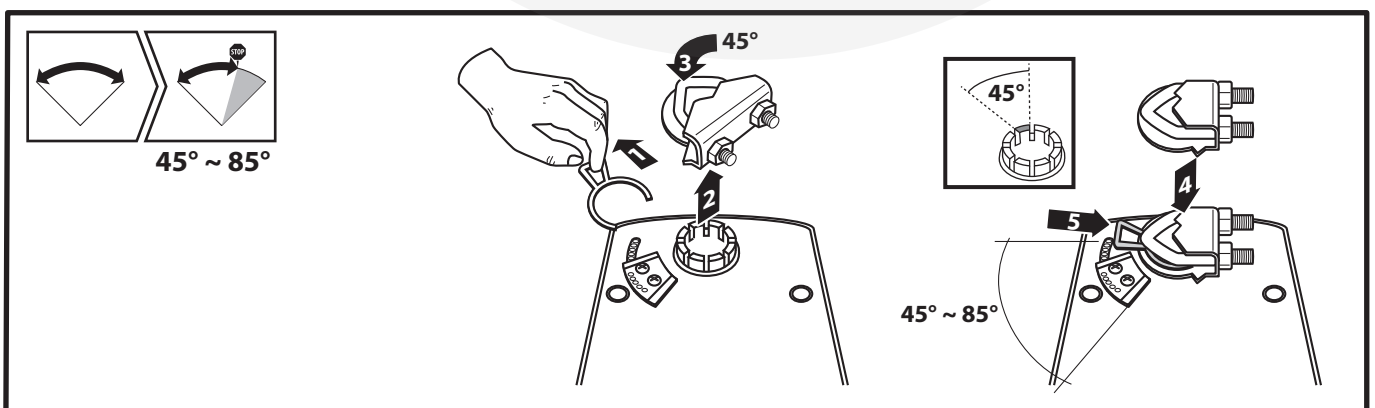
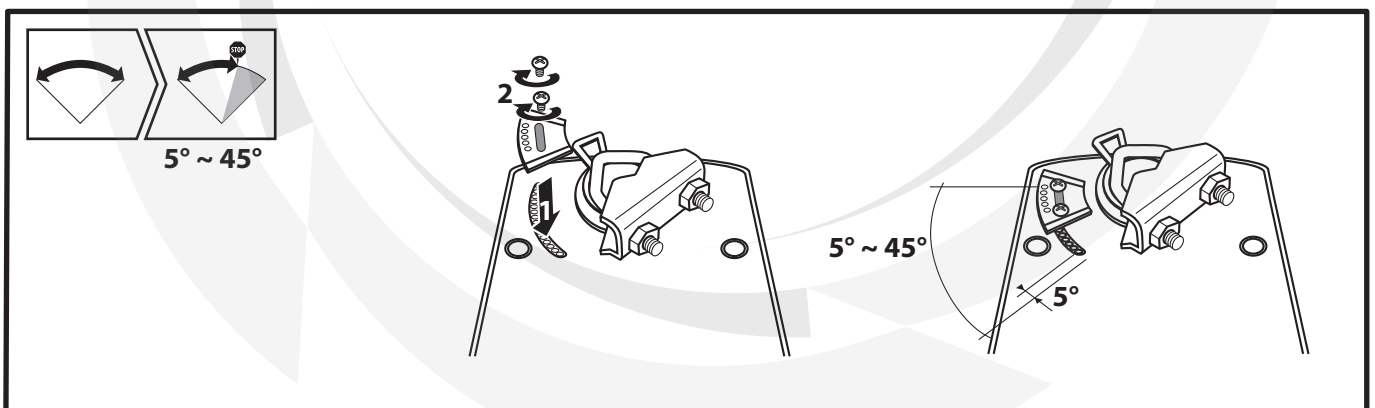
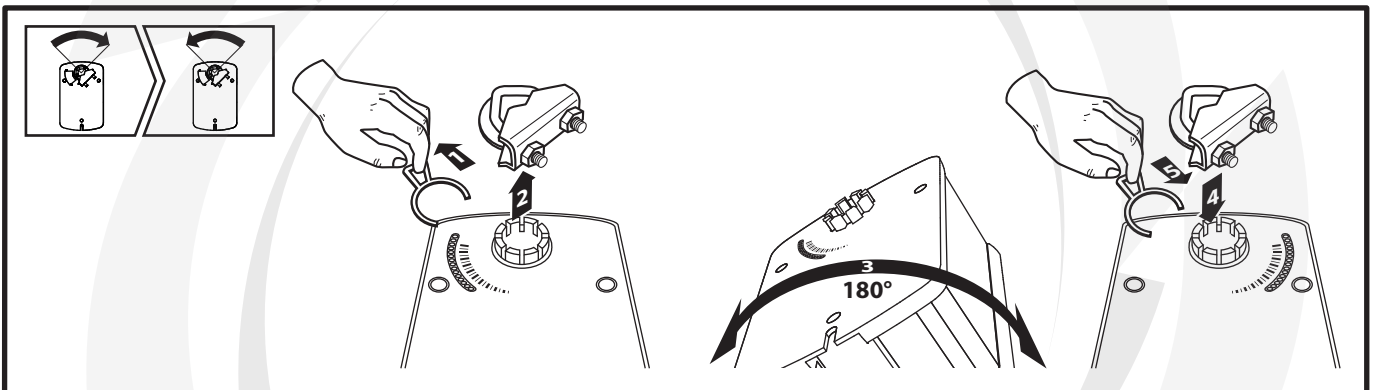
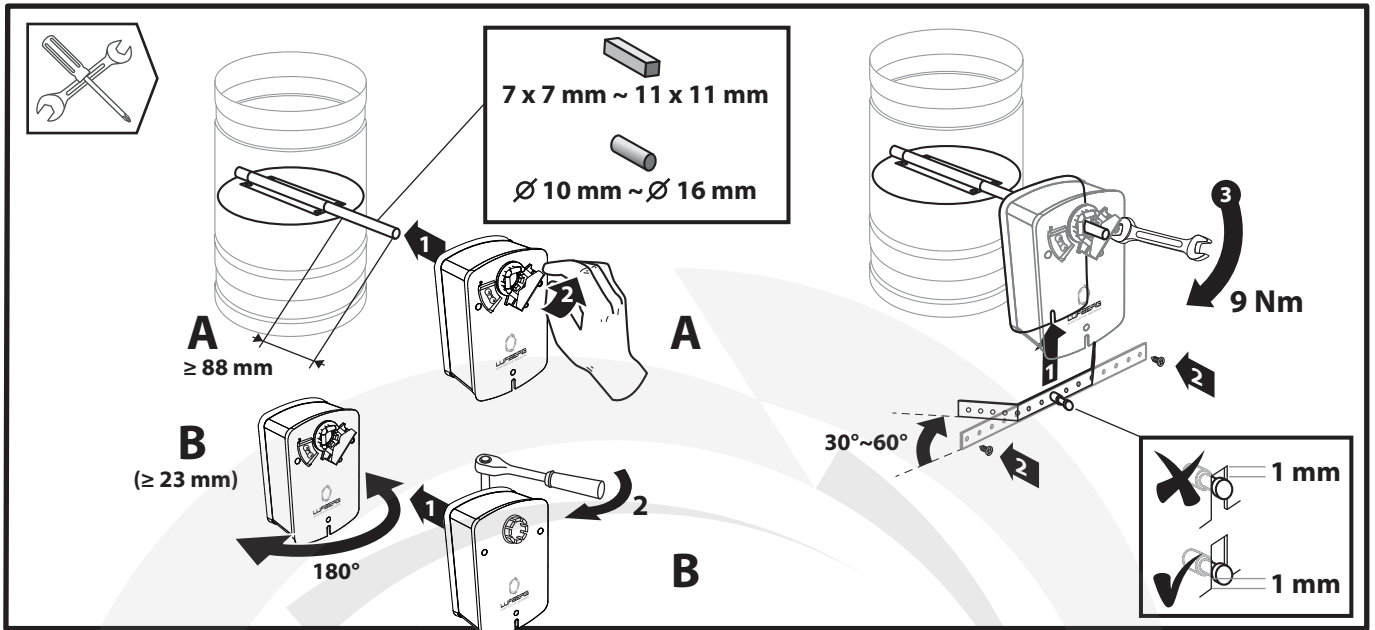


Actuator, Klappenstellantrieb, Электропривод, Servophonon

DA05S...



LUFBERG
CONSTRUCTIVE DECISIONS

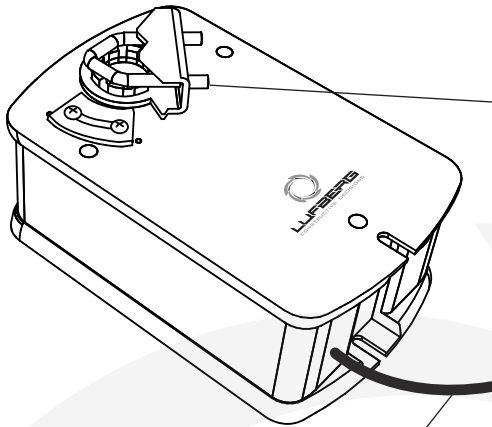
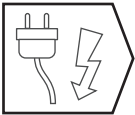


Actuator, Klappenstellantrieb, Электропривод, Servorohon

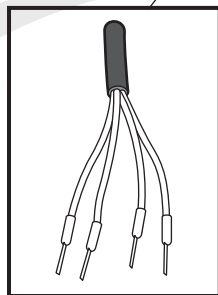
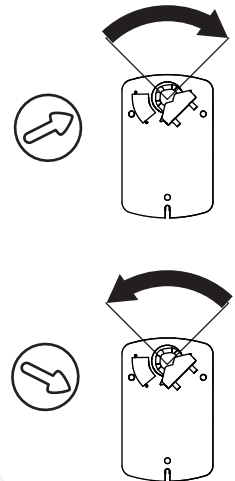
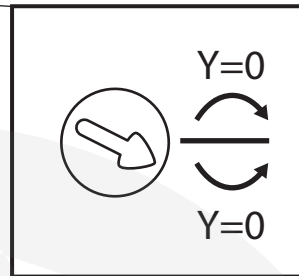
DA05S...



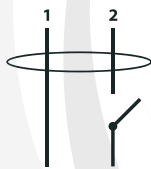
LUFBERG
CONSTRUCTIVE DECISIONS



DA05S24P, DA05S24PS

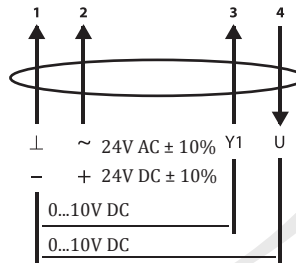


DA05S24S, DA05S220S

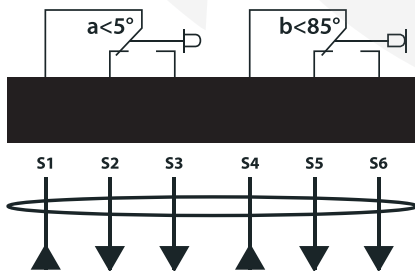


⊥ ~ 24V AC ± 10 %
- + 24V DC ± 10 %
N L1 230V AC ± 10 %

DA05S24P, DA05S24PS

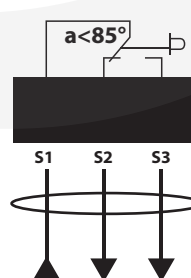


DA05S24S, DA05S220S



3 (1,5)A / 250V

DA05S24PS



All rights reserved.
The company Lufberg reserves the right to change technical specifications of product without previous announcement.
On these product was issued Declaration of conformity in accordance with those directives: the Low Voltage Directive 2006/95/EC, the Electromagnetic Compatibility Directive 2004/108/EC and Machinery Directive 2006/42/EC

DA05S...

