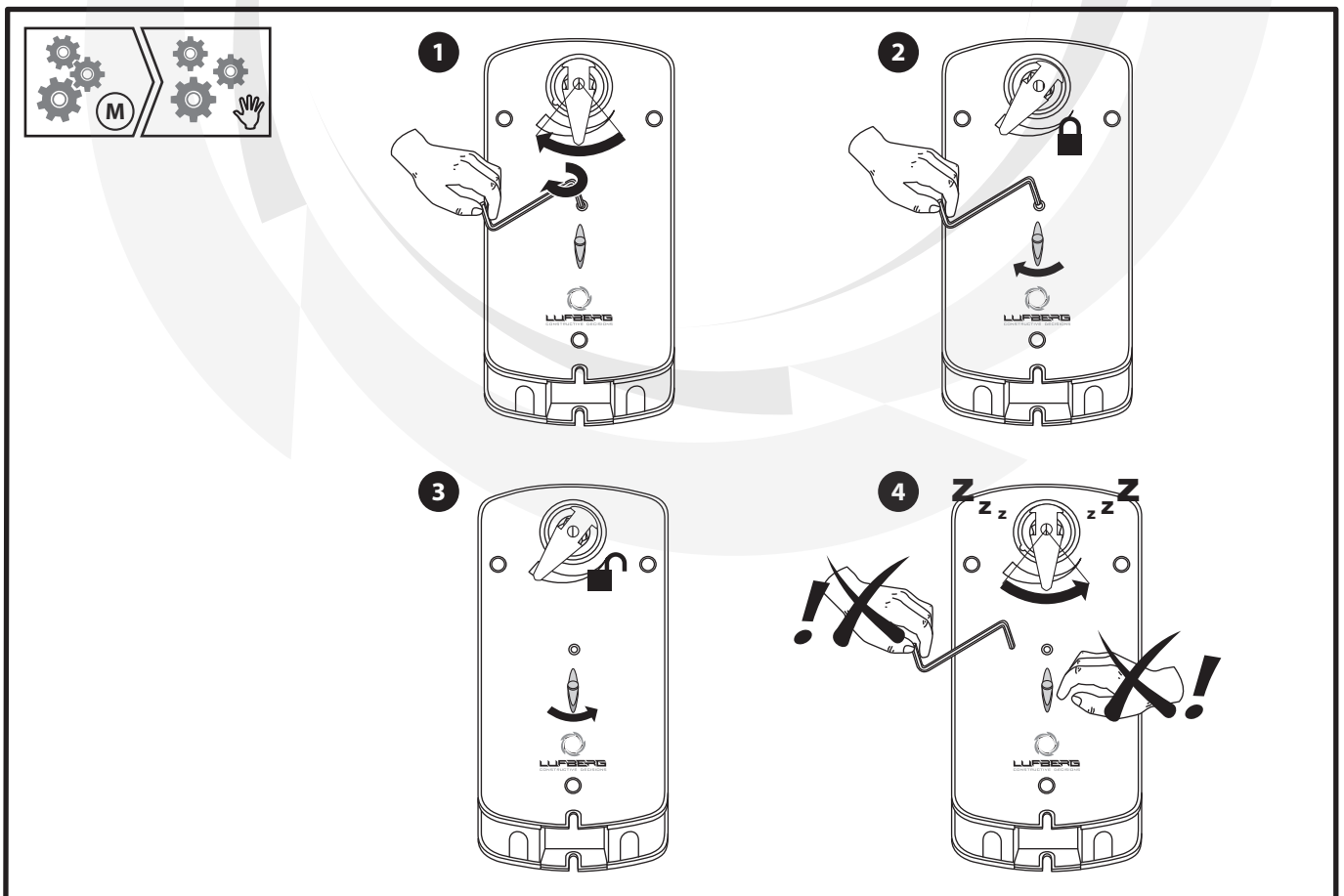
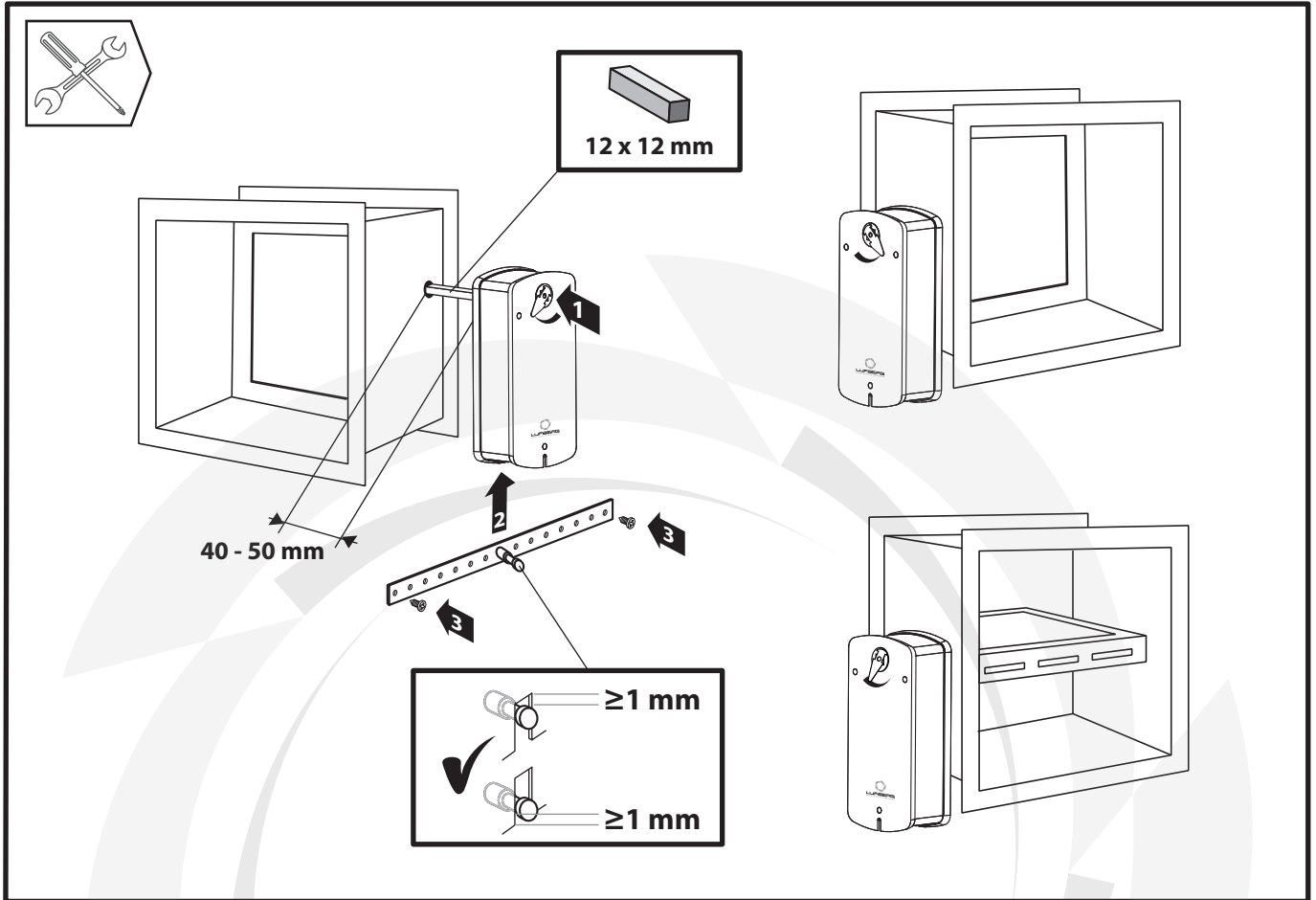


Actuator, Klappenstellantrieb, Электропривод, Servophonon

FS10S...



LUFBERG
CONSTRUCTIVE DECISIONS

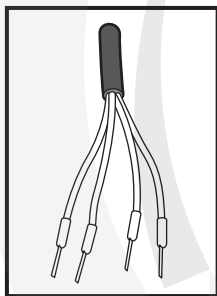
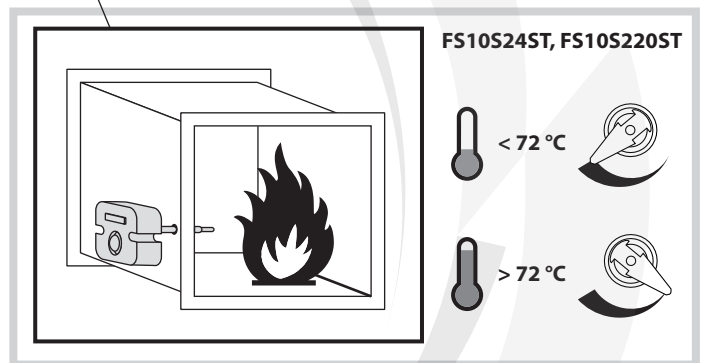
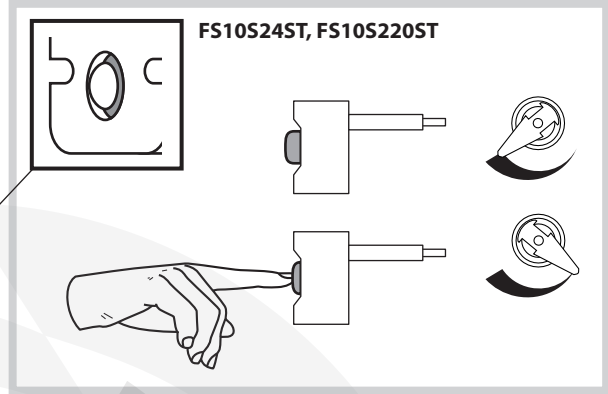
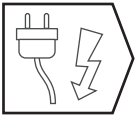


Actuator, Klappenstellantrieb, Электропривод, Servorohon

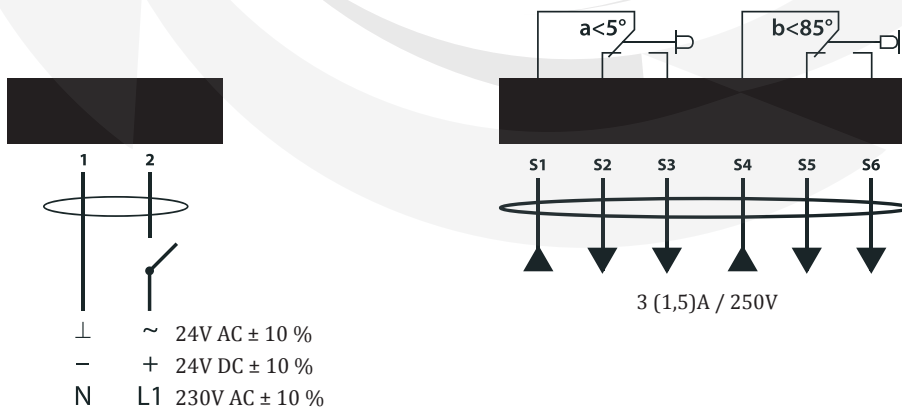
FS10S...



LUFBERG
CONSTRUCTIVE DECISIONS



FS10S24S, FS10S24ST, FS10S220S, FS10S220ST



All rights reserved.
The company Lufberg reserves the right to change technical specifications of product without previous announcement.
On these product was issued Declaration of conformity in accordance with those directives: the Low Voltage Directive 2006/95/EC, the Electromagnetic Compatibility Directive 2004/108/EC and Machinery Directive 2006/42/EC

FS10S...

